

Model: TM/R-AF1-1 TX (Transmitter Only)

INSTALLATION AND OPERATING INSTRUCTIONS

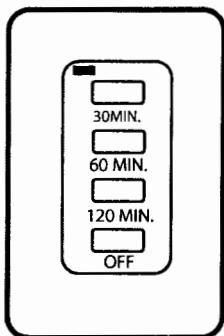
SINGLE-FUNCTION WIRELESS REMOTE CONTROL SYSTEM
FOR OPERATION WITH ALL AF-4000 & AF-5000 SERIES CONTROL MODULES

IF YOU CANNOT READ OR UNDERSTAND THESE INSTALLATION INSTRUCTIONS DO NOT
ATTEMPT TO INSTALL OR OPERATE

INTRODUCTION

This remote Wireless Wall Timer system was developed to provide safe, reliable, and user-friendly remote control system for gas heating appliances. The system can be operated manually from the transmitter. The system operates on one of 65,536 security codes that are programmed into the transmitter at the factory.

WALL TIMER

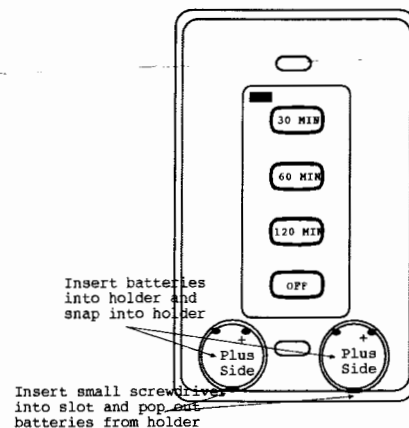


The wall timer operates on a (2) 3-volt button cell batteries (included) made specifically for remote controls and electronic lighters. Before using the wall transmitter, install the two (2) 3-volt button cell batteries. Follow instructions below.

The wall timer has a 30 min, 60 min, 120 min, and OFF buttons. When any of the buttons on the wall timer is pressed, a signal light on the wall timer illuminates briefly to verify that a signal has been sent. If the signal light does not illuminate, check the batteries. Upon initial use, there may be a delay of five seconds before the remote receiver will respond to the wall timer.

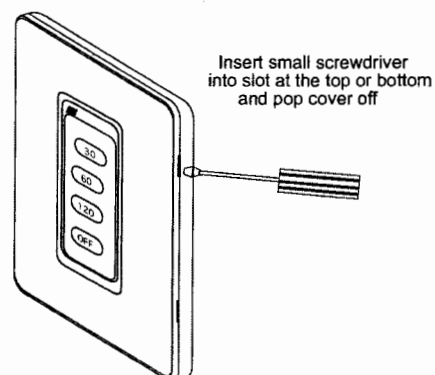
TO INSTALL BATTERIES

1. Remove face from backing plate by insetting a small screwdriver into the small slot at the top or bottom of the faceplate as shown below then snap OFF.
2. Locate the (2) holders for the 3V button cell batteries.
3. Place the button cell batteries into the battery holders and snap into place. (Make sure that the batteries are installed with the (+) plus side as shown to the right.
4. After the batteries are installed replace the faceplate on the base.



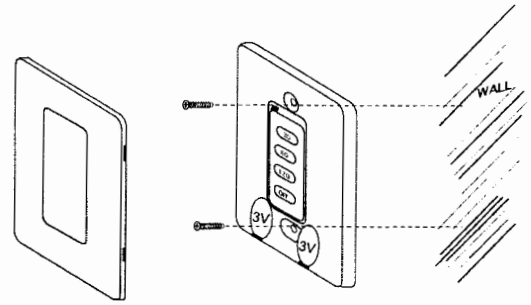
TO REMOVE THE BATTERIES

1. Remove face from backing plate by insetting a small screwdriver into the small slot on the side at the top or bottom of the faceplate as shown to the right then snap OFF.
2. Locate the (2) holders for the 3V button cell batteries.
3. Insert a small screwdriver into the slot at the button cell battery and pop the battery out (Slots shown in picture above).
4. After the batteries are installed replace the faceplate.



WALL MOUNTING THE TIMER

1. Remove face from backing plate by inserting a small screwdriver into the small slot at the top or bottom of the faceplate as shown to the right then snap OFF.
2. Locate the (2) two mounting holes and mark the holes on the wall.
3. Use the (2) two dry wall anchors and screws (that are supplied) to mount the base plate to the wall as shown.
4. The wall transmitter can also be mounted onto an existing (Plastic) electrical box.
5. Base plate should be mounted level on the wall for best operation.



GENERAL INFORMATION

LEARNING TRANSMITTER TO MODULE

Each transmitter uses a unique security code. It will be necessary to press the LEARN button on the module to accept the transmitter security code upon initial use, if batteries are replaced, or if a replacement transmitter is purchased from your dealer or the factory. In order for the module to accept the transmitter security code, be sure the slide button on the module is in the REMOTE position; the module will **not** LEARN if the slide switch is in the OFF position. The LEARN button is located on the side of the module labeled LEARN. Using a small screwdriver or end of a paperclip gently press and release the black LEARN button. When you release the LEARN button the module will emit an audible "beep". After the module emits the beep press the transmitter ANY button and release. The module will emit several beeps indicating that the transmitter's code has been accepted into the module.

The microprocessor that controls the security code matching procedure is controlled by a timing function. If you are unsuccessful in matching the security code on the first attempt, wait 1 - 2 minutes before trying again--this delay allows the microprocessor to reset its timer circuitry--and try up to two or three more times.

TROUBLE SHOOTING

If you encounter problems with your fireplace system, the problem may be with the fireplace itself or it could be with the TM/R-AF1 remote system. Review the fireplace manufacturer's operation manual to make sure all connections are properly made. Then check the operation of the remote in the following manner:

1. Check battery in TRANSMITTER to ensure contacts are touching (+) and (-) ends of battery. Bend metal contacts in for tighter fit.
2. Be sure MODULE and TRANSMITTER is within 20 to 25-foot operating range.
3. If MODULE is installed in tightly enclosed metal surround, the operating distance will be shortened.

NOTE:

SPECIFICATIONS

BATTERIES: Transmitter 12V - (A23)
FCC ID No.'s: transmitter - K9LTMR2A; receiver - K9L330IRX
Operating Frequency: 303.8 MHZ Canadian ISC ID No.'s: transmitter - 2439A-TMR2A

FCC REQUIREMENTS

NOTE: THE MANUFACTURER IS NOT RESPONSIBLE FOR ANY RADIO OR TV INTERFERENCE CAUSED BY UNAUTHORIZED MODIFICATIONS TO THIS EQUIPMENT. SUCH MODIFICATIONS COULD VOID THE USER'S AUTHORITY TO OPERATE THE EQUIPMENT.

For warranty information please contact the gas appliance supplier that this product is installed on